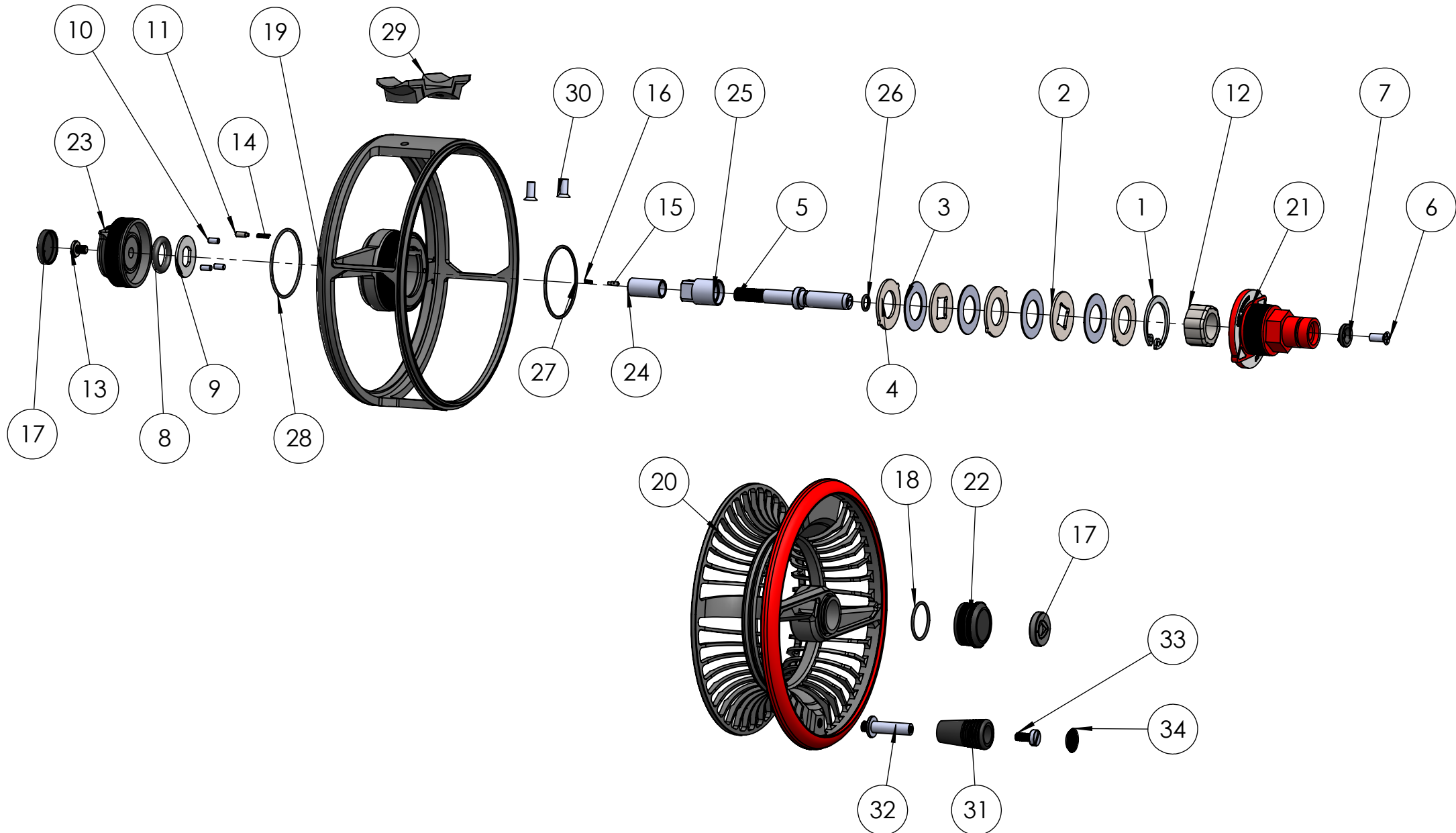


# Greys Tital Reel



## Greys Tital Reel

No.	Description	Q'TY	3/4 (1546695)	5/6 (1546696)	7/8 (1546697)	9/10 (1546698)
1	C Type Circlip	1	1549519			
2	Internal Keyed Washer	N/A	1549518 (QTY1)		1549518 (QTY2)	
3	Drag Washer	4	1549517 (QTY2)		1549517 (QTY4)	
4	Pressure Plate	3	1549516 (QTY2)		1549516(QTY3)	
5	Spindle	1	1555866		1555867	
6	Hub retainer Screw	1	1549528			
7	Hub Retainer	1	1549527			
8	Compression O Ring	1	1549505			
9	Push Plate	1	1549508			
10	Push Pin	3	1549509			
11	Drag Knob Clicker	1	1555862			
12	Clutch Bearing	1	1549526			
13	Spindle Stop Screw	1	1549510			
14	Regulator Knob clicker Spring	1	1549507			
15	Spindle Clicker	1	1555865			
16	Spindle Clicker Spring	1	1549523			
17	Badge	2	1555848			
18	Drag Knob O Ring	1	1555861			
19	Frame	1				
20	Drum	1				
21	Spool Axel	1	1555870		1555871	
22	Spool Cap	1	1555859			
23	Drag Knob	1	1555860			
24	Brass Insert Bushing	1	1555868		1555869	
25	Drag Disk Bush	1	1555863		1555864	
26	Spindle O Ring	1	1549515			
27	Frame Hub O Ring	1	1549524			
28	Drag Knob O Ring	1	1555861			
29	Reel Foot	1	1555854	1555855	1555856	1555857
30	Reel Foot Screw	2	1555858			
31	Handle Knob	1	1555851		1560308	
32	Handle Shaft	1	1555850		1560307	
33	Handle Knob Screw	1	1555852			
34	Handle Knob Cap	1	1555853			